

SERIE CDL-CDLF

ELECTROBOMBAS MULTICELULARES VERTICALES

PRESTACIONES

Altura manométrica hasta 305 m

Caudal hasta 1.966,66 l/min (240 m³/h)

LÍMITES DE EMPLEO

Altura de aspiración manométrica hasta 6 m

Temperatura del líquido hasta -15 °C y 120 °C

CARACTERÍSTICAS DE EMPLEO E INSTALACIÓN

La serie está formada por bombas centrífugas multicelulares verticales, que por su construcción sólida y compacta y buen rendimiento hidráulico son indicadas para usos doméstico e industrial, en equipos de presión y distribución de agua, plantas de tratamiento de agua, alimentación a calderas, circuitos de lavado, sistemas de riego, etc.

Su instalación se deberá efectuar en lugares protegidos y los motores deberán protegerse con un **guardamotor** apropiado.

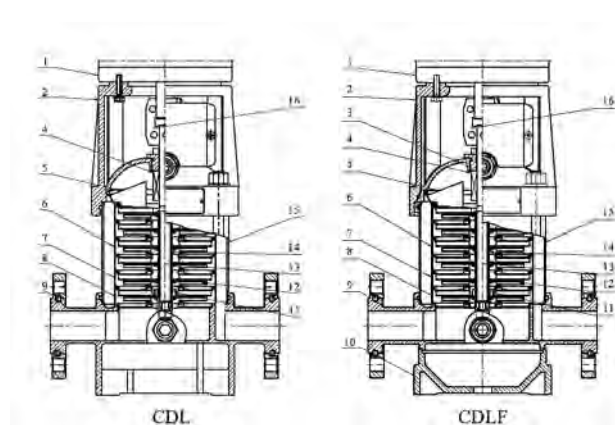


CARACTERÍSTICAS DE CONSTRUCCIÓN

Materiales CDL/CDLF1,2,3,4

| N.º | Nombre | Material | AISI/ASTM |
|-------------|------------------|------------------|--------------------|
| 1 | Motor | | |
| 2 | Soporte | Fundición | ASTM25B |
| 4 | Sello mecánico | | |
| 5 | Primer difusor | Acero Inox | AISI304 |
| 6 | Difusor | Acero Inox | AISI304 |
| 7 | Soporte difusor | Acero Inox | AISI304 |
| 8 | Difusor inferior | Acero Inox | AISI304 |
| 11 | Casquillo | Carb. Turgsteno | |
| 12 | Rodete | Acero Inox | AISI304 |
| 13 | Eje | Acero Inox | AISI304 - AISI316L |
| 14 | Chaveta rodete | Acero Inox | AISI304 |
| 15 | Camisa | Acero Inox | AISI304 |
| 16 | Acoplamiento | Acero de carbono | |
| CDLF | | | |
| 3 | Soporte sello | Acero inox | AISI304 |
| 9 | Cuerpo bomba | Acero inox | AISI304 |
| 10 | Pie bomba | Fundición | ASTM25B |
| CDL | | | |
| 9 | Cuerpo bomba | Fundición | ASTM25B |

Componentes CDL/CDL1,2,3,4

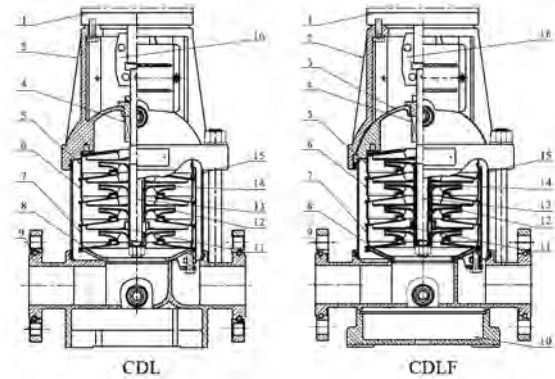


CARACTERÍSTICAS DE CONSTRUCCIÓN

Materiales CDL/CDLF8,12,16,20

| N.º | Nombre | Material | AISI/ASTM |
|-------------|------------------|------------------|--------------------|
| 1 | Motor | | |
| 2 | Soporte | Fundición | ASTM25B |
| 4 | Sello mecánico | | |
| 5 | Primer difusor | Acero Inox | AISI304 |
| 6 | Difusor | Acero Inox | AISI304 |
| 7 | Soporte difusor | Acero Inox | AISI304 |
| 8 | Difusor inferior | Acero Inox | AISI304 |
| 11 | Casquillo | Carb. Turgsteno | |
| 12 | Rodete | Acero Inox | AISI304 |
| 13 | Eje | Acero Inox | AISI304 - AISI316L |
| 14 | Chaveta rodete | Acero Inox | AISI304 |
| 15 | Camisa | Acero Inox | AISI304 |
| 16 | Acoplamiento | Acero de carbono | |
| CDLF | | | |
| 3 | Soporte sello | Acero inox | AISI304 |
| 9 | Cuerpo bomba | Acero inox | AISI304 |
| 10 | Pie bomba | Fundición | ASTM25B |
| CDL | | | |
| 9 | Cuerpo bomba | Fundición | ASTM25B |

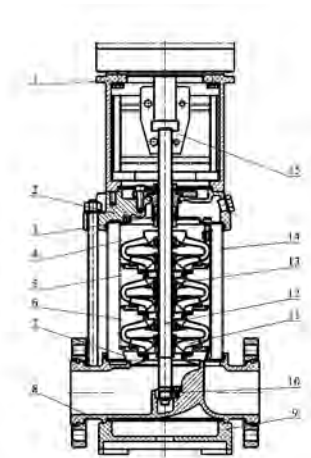
Componentes CDL/CDLF8,12,16,20



Materiales CDL/CDLF32,42,55,65

| N.º | Nombre | Material | AISI/ASTM |
|-------------|----------------------|------------------|-------------------------------|
| 1 | Soporte | Fundición | ASTM25B |
| 3 | Sello mecánico | | |
| 4 | Primer difusor | Acero Inox | AISI304 |
| 5 | Soporte difusor | Acero Inox | AISI304 |
| 6 | Difusor | Acero Inox | AISI304 |
| 7 | Difusor inferior | Acero Inox | AISI304 |
| 9 | Pie bomba | Fundición | ASTM25B |
| 10 | Casquillo inferior | Carb. Turgsteno | |
| 11 | Rodete | Acero Inox | AISI304 |
| 12 | Eje | Acero Inox | AISI304 - AISI316L AISI431 |
| 13 | Casquillo intermedio | Carb. Turgsteno | |
| 14 | Camisa | Acero Inox | AISI304 |
| 15 | Acoplamiento | Acero de carbono | |
| | Piezas en goma | NBR | |
| CDL | | | |
| 2 | Tapa superior | Fundición | ASTM25B |
| 8 | Cuerpo bomba | Fundición | ASTM25B |
| CDLF | | | |
| 2 | Tapa superior | Acero Inox | AISI304 |
| 8 | Cuerpo bomba | Acero Inox | AISI304 |

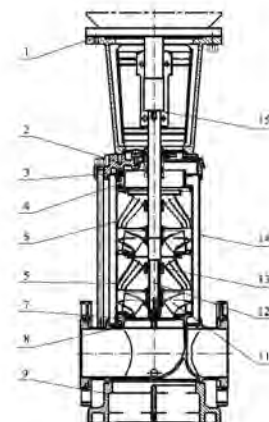
Componentes CDL/CDLF32,42,55,65



Materiales CDL/CDLF120,150,200

| N.º | Nombre | Material | AISI/ASTM |
|-------------|----------------------|------------------|-------------------------------|
| 1 | Soporte | Fundición | ASTM25B |
| 3 | Sello mecánico | | |
| 4 | Primer difusor | Acero Inox | AISI304 |
| 5 | Soporte difusor | Acero Inox | AISI304 |
| 6 | Difusor | Acero Inox | AISI304 |
| 7 | Difusor inferior | Acero Inox | AISI304 |
| 9 | Pie bomba | Fundición | ASTM25B |
| 10 | Casquillo inferior | Carb. Turgsteno | |
| 11 | Rodete | Acero Inox | AISI304 |
| 12 | Eje | Acero Inox | AISI304 - AISI316L AISI431 |
| 13 | Casquillo intermedio | Carb. Turgsteno | |
| 14 | Camisa | Acero Inox | AISI304 |
| 15 | Acoplamiento | Acero de carbono | |
| | Piezas en goma | NBR | |
| CDL | | | |
| 2 | Tapa superior | Fundición | ASTM25B |
| 8 | Cuerpo bomba | Fundición | ASTM25B |
| CDLF | | | |
| 2 | Tapa superior | Acero Inox | AISI304 |
| 8 | Cuerpo bomba | Acero Inox | AISI304 |

Componentes CDL/CDLF120,150,200



TABLAS DE PRESTACIONES

| MODELO | Potencia | | Q (m³/h) | 0,4 | 0,6 | 0,8 | 1,0 | 1,2 | 1,4 | 1,6 | 1,8 | 2,0 |
|---------|----------|------|-------------|-----|------|------|------|------|------|-----|-----|-----|
| | kW | CV | | | | | | | | | | |
| CDL1-2 | 0,37 | 0,5 | H mts | 13 | 12,5 | 12 | 11,5 | 11 | 10,5 | 10 | 9,5 | 9 |
| CDL1-3 | 0,37 | 0,5 | | 19 | 18 | 17,5 | 17 | 16,5 | 16 | 15 | 14 | 12 |
| CDL1-4 | 0,37 | 0,5 | | 24 | 23,5 | 23 | 22,5 | 21,5 | 21 | 19 | 18 | 16 |
| CDL1-5 | 0,37 | 0,5 | | 30 | 29,6 | 29 | 28 | 27 | 26 | 24 | 22 | 20 |
| CDL1-6 | 0,37 | 0,5 | | 36 | 35,5 | 35 | 33,5 | 33 | 31 | 28 | 26 | 23 |
| CDL1-7 | 0,37 | 0,5 | | 42 | 41 | 40,5 | 39 | 38 | 36 | 33 | 30 | 27 |
| CDL1-8 | 0,55 | 0,75 | | 48 | 47 | 46 | 45 | 43 | 41 | 38 | 34 | 30 |
| CDL1-9 | 0,55 | 0,75 | | 54 | 53 | 52 | 51 | 49 | 46 | 43 | 39 | 33 |
| CDL1-10 | 0,55 | 0,75 | | 60 | 59 | 58 | 57 | 54 | 51 | 48 | 43 | 36 |
| CDL1-11 | 0,55 | 0,75 | | 66 | 65 | 63 | 61 | 59 | 56 | 52 | 47 | 40 |
| CDL1-12 | 0,75 | 1 | | 72 | 71 | 69 | 67 | 64 | 61 | 57 | 51 | 44 |
| CDL1-13 | 0,75 | 1 | | 78 | 77 | 75 | 73 | 69 | 66 | 62 | 55 | 47 |
| CDL1-15 | 0,75 | 1 | | 89 | 88 | 86 | 84 | 79 | 76 | 71 | 63 | 55 |
| CDL1-17 | 1,1 | 1,5 | | 101 | 99 | 97 | 95 | 89 | 86 | 80 | 71 | 62 |
| CDL1-19 | 1,1 | 1,5 | | 113 | 110 | 108 | 106 | 99 | 96 | 89 | 79 | 69 |
| CDL1-21 | 1,1 | 1,5 | | 124 | 122 | 120 | 117 | 110 | 106 | 98 | 87 | 75 |
| CDL1-23 | 1,1 | 1,5 | | 137 | 133 | 131 | 128 | 121 | 116 | 107 | 96 | 82 |
| CDL1-25 | 1,5 | 2 | | 149 | 145 | 143 | 139 | 131 | 126 | 116 | 104 | 89 |
| CDL1-27 | 1,5 | 2 | | 161 | 157 | 155 | 150 | 141 | 136 | 125 | 112 | 95 |
| CDL1-30 | 1,5 | 2 | | 178 | 175 | 171 | 166 | 157 | 150 | 139 | 124 | 106 |
| CDL1-33 | 2,2 | 3 | 196 | 192 | 188 | 183 | 173 | 165 | 154 | 137 | 118 | |
| CDL1-36 | 2,2 | 3 | 214 | 210 | 205 | 200 | 190 | 181 | 169 | 151 | 130 | |

| MODELO | Potencia | | Q (m³/h) | 1 | 1,2 | 1,6 | 2,0 | 2,4 | 2,8 | 3,2 | 3,5 |
|---------|----------|------|-------------|-----|-----|-----|-----|-----|-----|-----|-----|
| | kW | CV | | | | | | | | | |
| CDL2-2 | 0,37 | 0,5 | H mts | 18 | 17 | 16 | 15 | 13 | 12 | 10 | 8 |
| CDL2-3 | 0,37 | 0,5 | | 27 | 26 | 24 | 22 | 20 | 18 | 15 | 12 |
| CDL2-4 | 0,55 | 0,75 | | 36 | 35 | 33 | 30 | 26 | 24 | 20 | 16 |
| CDL2-5 | 0,55 | 0,75 | | 45 | 43 | 40 | 37 | 33 | 30 | 24 | 20 |
| CDL2-6 | 0,75 | 1 | | 53 | 52 | 50 | 45 | 40 | 36 | 30 | 24 |
| CDL2-7 | 0,75 | 1 | | 63 | 61 | 57 | 52 | 47 | 41 | 35 | 28 |
| CDL2-9 | 1,1 | 1,5 | | 80 | 78 | 73 | 67 | 61 | 54 | 45 | 37 |
| CDL2-11 | 1,1 | 1,5 | | 98 | 95 | 89 | 82 | 73 | 64 | 54 | 44 |
| CDL2-13 | 1,5 | 2 | | 116 | 114 | 106 | 98 | 89 | 78 | 65 | 52 |
| CDL2-15 | 1,5 | 2 | | 134 | 130 | 123 | 112 | 100 | 90 | 73 | 60 |
| CDL2-18 | 2,2 | 3 | | 161 | 157 | 148 | 136 | 121 | 108 | 91 | 76 |
| CDL2-22 | 2,2 | 3 | | 197 | 192 | 180 | 165 | 148 | 130 | 110 | 90 |
| CDL2-26 | 3,0 | 4 | | 232 | 228 | 214 | 198 | 179 | 158 | 130 | 110 |

| MODELO | Potencia | | Q (m³/h) | 1,2 | 1,6 | 2,0 | 2,4 | 2,8 | 3,0 | 3,2 | 3,6 | 4,0 |
|---------|----------|------|-------------|------|------|------|------|-----|-----|-----|-----|-----|
| | kW | CV | | | | | | | | | | |
| CDL3-2 | 0,37 | 0,5 | H mts | 12,5 | 11,5 | 11 | 10,5 | 10 | 9 | 8 | 7 | 6 |
| CDL3-3 | 0,37 | 0,5 | | 19 | 18,5 | 17,5 | 16,5 | 15 | 14 | 13 | 11 | 9 |
| CDL3-4 | 0,37 | 0,5 | | 25 | 24 | 23 | 21,5 | 20 | 19 | 18 | 15 | 12 |
| CDL3-5 | 0,37 | 0,5 | | 31 | 30 | 29 | 27 | 25 | 23 | 22 | 19 | 16 |
| CDL3-6 | 0,55 | 0,75 | | 36 | 35 | 34 | 32 | 30 | 28 | 27 | 23 | 19 |
| CDL3-7 | 0,55 | 0,75 | | 43 | 41 | 39 | 37 | 34 | 32 | 31 | 27 | 22 |
| CDL3-8 | 0,75 | 1 | | 49 | 47 | 45 | 43 | 39 | 37 | 35 | 31 | 25 |
| CDL3-9 | 0,75 | 1 | | 55 | 53 | 51 | 48 | 45 | 42 | 40 | 35 | 28 |
| CDL3-10 | 0,75 | 1 | | 61 | 59 | 57 | 54 | 50 | 47 | 45 | 39 | 31 |
| CDL3-11 | 1,1 | 1,5 | | 67 | 64 | 61 | 58 | 54 | 51 | 49 | 42 | 34 |
| CDL3-12 | 1,1 | 1,5 | | 73 | 70 | 67 | 63 | 58 | 55 | 52 | 45 | 37 |
| CDL3-13 | 1,1 | 1,5 | | 78 | 76 | 73 | 69 | 64 | 60 | 57 | 49 | 40 |
| CDL3-15 | 1,1 | 1,5 | | 90 | 88 | 84 | 79 | 73 | 69 | 66 | 57 | 46 |
| CDL3-17 | 1,5 | 2 | | 103 | 100 | 96 | 90 | 83 | 79 | 75 | 64 | 52 |
| CDL3-19 | 1,5 | 2 | | 115 | 112 | 107 | 100 | 92 | 88 | 83 | 72 | 58 |
| CDL3-21 | 2,2 | 3 | | 128 | 124 | 119 | 112 | 102 | 98 | 91 | 79 | 64 |
| CDL3-23 | 2,2 | 3 | | 140 | 135 | 130 | 122 | 112 | 107 | 100 | 86 | 70 |
| CDL3-25 | 2,2 | 3 | | 151 | 147 | 141 | 131 | 122 | 116 | 109 | 94 | 76 |
| CDL3-27 | 2,2 | 3 | | 164 | 159 | 152 | 143 | 132 | 124 | 117 | 101 | 82 |
| CDL3-27 | 2,2 | 3 | | 175 | 170 | 163 | 153 | 142 | 133 | 126 | 109 | 88 |
| CDL3-30 | 3,0 | 4 | 187 | 182 | 175 | 165 | 153 | 142 | 135 | 116 | 94 | |
| CDL3-33 | 3,0 | 4 | 199 | 194 | 187 | 176 | 163 | 151 | 145 | 125 | 100 | |
| CDL3-36 | 3,0 | 4 | 218 | 212 | 204 | 192 | 178 | 168 | 159 | 137 | 109 | |

TABLAS DE PRESTACIONES

| MODELO | Potencia | | Q (m³/h) | 1,5 | 2,0 | 3,0 | 4,0 | 5,0 | 6,0 | 7,0 |
|---------|----------|------|-------------|-----|-----|-----|-----|-----|-----|-----|
| | kW | CV | | | | | | | | |
| CDL4-2 | 0,37 | 0,5 | H mts | 19 | 18 | 17 | 15 | 13 | 10 | 8 |
| CDL4-3 | 0,55 | 0,75 | | 28 | 27 | 26 | 24 | 20 | 18 | 13 |
| CDL4-4 | 0,75 | 1 | | 38 | 36 | 34 | 32 | 27 | 24 | 19 |
| CDL4-5 | 1,1 | 1,5 | | 47 | 45 | 43 | 40 | 34 | 31 | 23 |
| CDL4-6 | 1,1 | 1,5 | | 56 | 54 | 52 | 48 | 41 | 37 | 28 |
| CDL4-7 | 1,5 | 2 | | 66 | 63 | 61 | 56 | 48 | 43 | 33 |
| CDL4-8 | 1,5 | 2 | | 74 | 72 | 70 | 64 | 55 | 50 | 38 |
| CDL4-10 | 2,2 | 3 | | 96 | 90 | 87 | 81 | 71 | 62 | 48 |
| CDL4-12 | 2,2 | 3 | | 114 | 108 | 104 | 95 | 85 | 75 | 58 |
| CDL4-14 | 3,0 | 4 | | 136 | 126 | 122 | 112 | 101 | 89 | 68 |
| CDL4-16 | 3,0 | 4 | | 152 | 144 | 140 | 129 | 115 | 101 | 78 |
| CDL4-19 | 4,0 | 5,5 | | 183 | 171 | 168 | 153 | 137 | 122 | 93 |
| CDL4-22 | 4,0 | 5,5 | | 211 | 200 | 192 | 178 | 160 | 138 | 108 |

| MODELO | Potencia | | Q (m³/h) | 5 | 6 | 7 | 8 | 9 | 10 | 11 | 12 |
|----------|----------|-----|-------------|-----|------|------|-----|-----|-----|-----|-----|
| | kW | CV | | | | | | | | | |
| CDL8-2/1 | 0,75 | 1 | H mts | 10 | 9,5 | 9,3 | 9 | 8,5 | 8 | 7 | 6 |
| CDL8-2 | 0,75 | 1 | | 20 | 19,5 | 19 | 18 | 17 | 16 | 14 | 13 |
| CDL8-3 | 1,1 | 1,5 | | 30 | 29,5 | 28,5 | 27 | 25 | 24 | 21 | 19 |
| CDL8-4 | 1,5 | 2 | | 41 | 39,5 | 38 | 36 | 34 | 32 | 28 | 26 |
| CDL8-5 | 2,2 | 3 | | 52 | 50 | 48 | 45 | 42 | 40 | 36 | 32 |
| CDL8-6 | 2,2 | 3 | | 62 | 60 | 57 | 54 | 51 | 48 | 43 | 39 |
| CDL8-8 | 3,0 | 4 | | 83 | 80 | 77 | 73 | 69 | 65 | 58 | 52 |
| CDL8-10 | 4,0 | 5,5 | | 104 | 100 | 97 | 92 | 87 | 81 | 73 | 65 |
| CDL8-12 | 4,0 | 5,5 | | 124 | 120 | 116 | 111 | 104 | 92 | 87 | 78 |
| CDL8-14 | 5,5 | 7,5 | | 145 | 141 | 136 | 130 | 122 | 113 | 102 | 92 |
| CDL8-16 | 5,5 | 7,5 | | 166 | 161 | 156 | 148 | 139 | 130 | 118 | 106 |
| CDL8-18 | 7,5 | 10 | | 187 | 182 | 175 | 167 | 157 | 146 | 134 | 120 |
| CDL8-20 | 7,5 | 10 | | 208 | 202 | 195 | 186 | 175 | 163 | 150 | 135 |

| MODELO | Potencia | | Q (m³/h) | 7 | 8 | 9 | 10 | 11 | 12 | 13 | 14 | 15 | 16 |
|----------|----------|-----|-------------|-------|-----|-------|-----|-------|-----|-------|-----|-------|-----|
| | kW | CV | | | | | | | | | | | |
| CDL12-2 | 1,5 | 2 | H mts | 23,5 | 23 | 22,5 | 22 | 21 | 20 | 18,5 | 17 | 15,5 | 14 |
| CDL12-3 | 2,2 | 3 | | 35,5 | 35 | 34 | 33 | 31,5 | 30 | 28 | 26 | 23,5 | 21 |
| CDL12-4 | 3 | 4 | | 47 | 46 | 45 | 44 | 42 | 40 | 37 | 34 | 31 | 28 |
| CDL12-5 | 3 | 4 | | 59,5 | 58 | 56,5 | 55 | 52,5 | 50 | 46,5 | 43 | 39 | 35 |
| CDL12,6 | 4 | 5,5 | | 71,5 | 70 | 68 | 66 | 63 | 60 | 56 | 52 | 47 | 42 |
| CDL12-7 | 5,5 | 7,5 | | 83,5 | 82 | 79,5 | 77 | 73,5 | 70 | 65,5 | 61 | 55 | 49 |
| CDL12-8 | 5,5 | 7,5 | | 95,5 | 94 | 91 | 88 | 84 | 80 | 75 | 70 | 63 | 56 |
| CDL12-9 | 5,5 | 7,5 | | 108 | 105 | 103 | 100 | 95,5 | 91 | 85 | 79 | 71,5 | 64 |
| CDL12-10 | 7,5 | 10 | | 120 | 118 | 114,5 | 111 | 106 | 101 | 94,5 | 88 | 80 | 72 |
| CDL12-12 | 7,5 | 10 | | 143,5 | 141 | 137 | 133 | 127 | 121 | 113,5 | 106 | 96 | 86 |
| CDL12-14 | 11 | 15 | | 168 | 165 | 160 | 155 | 148 | 141 | 132,5 | 124 | 112 | 100 |
| CDL12-16 | 11 | 15 | | 192,5 | 189 | 183,5 | 178 | 170 | 162 | 152 | 142 | 128,5 | 115 |
| CDL12-18 | 11 | 15 | | 217 | 213 | 207,5 | 202 | 192,5 | 183 | 171,5 | 160 | 145 | 130 |

| MODELO | Potencia | | Q (m³/h) | 8 | 10 | 12 | 14 | 16 | 18 | 20 | 22 |
|----------|----------|-----|-------------|-----|-----|-----|-----|-----|-----|-----|-----|
| | kW | CV | | | | | | | | | |
| CDL16-2 | 2,2 | 3 | H mts | 27 | 26 | 25 | 24 | 22 | 21 | 19 | 16 |
| CDL16-3 | 3,0 | 4 | | 41 | 40 | 38 | 37 | 34 | 32 | 29 | 25 |
| CDL16-4 | 4,0 | 5,5 | | 54 | 53 | 52 | 49 | 46 | 43 | 38 | 34 |
| CDL16-5 | 5,5 | 7,5 | | 68 | 67 | 65 | 62 | 56 | 54 | 48 | 43 |
| CDL16-6 | 5,5 | 7,5 | | 82 | 80 | 78 | 74 | 70 | 64 | 58 | 52 |
| CDL16-7 | 7,5 | 10 | | 96 | 95 | 91 | 87 | 82 | 76 | 68 | 61 |
| CDL16-8 | 7,5 | 10 | | 110 | 108 | 104 | 99 | 94 | 86 | 77 | 70 |
| CDL16-10 | 11 | 15 | | 138 | 136 | 131 | 125 | 118 | 109 | 97 | 87 |
| CDL16-12 | 11 | 15 | | 166 | 162 | 157 | 150 | 141 | 130 | 116 | 105 |
| CDL16-14 | 15 | 20 | | 194 | 190 | 184 | 175 | 166 | 152 | 136 | 122 |
| CDL16-16 | 15 | 20 | | 222 | 217 | 210 | 200 | 189 | 174 | 156 | 140 |

TABLAS DE PRESTACIONES

| MODELO | Potencia | | Q (m ³ /h) | 10 | 12 | 14 | 16 | 18 | 20 | 22 | 24 | 26 | 28 |
|----------|----------|-----|--------------------------|------|------|------|-----|-----|-----|-----|-----|-----|-----|
| | kW | CV | | | | | | | | | | | |
| CDL20-1 | 1,1 | 1,5 | H mts | 13,5 | 13 | 12,5 | 12 | 11 | 10 | 9 | 8 | 7 | 6 |
| CDL20-2 | 2,2 | 3 | | 27 | 26,5 | 26 | 25 | 24 | 23 | 22 | 20 | 18 | 15 |
| CDL20-3 | 4,0 | 5,5 | | 40 | 39,5 | 39 | 38 | 37 | 35 | 33 | 30 | 27 | 24 |
| CDL20-4 | 5,5 | 7,5 | | 54 | 53 | 52 | 51 | 49 | 47 | 44 | 41 | 37 | 33 |
| CDL20-5 | 5,5 | 7,5 | | 67 | 65 | 64 | 62 | 60 | 58 | 55 | 50 | 45 | 40 |
| CDL20-6 | 7,5 | 10 | | 81 | 79 | 77 | 75 | 73 | 70 | 66 | 61 | 55 | 49 |
| CDL20-7 | 7,5 | 10 | | 95 | 93 | 91 | 89 | 86 | 82 | 77 | 71 | 65 | 58 |
| CDL20-8 | 11 | 15 | | 109 | 107 | 105 | 102 | 99 | 94 | 89 | 82 | 75 | 67 |
| CDL20-10 | 11 | 15 | | 136 | 134 | 131 | 128 | 124 | 118 | 111 | 103 | 95 | 85 |
| CDL20-12 | 15 | 20 | | 164 | 162 | 158 | 154 | 149 | 142 | 133 | 124 | 114 | 102 |
| CDL20-14 | 15 | 20 | | 192 | 189 | 185 | 180 | 174 | 166 | 156 | 145 | 133 | 119 |
| CDL20-17 | 18,5 | 25 | | 234 | 230 | 225 | 219 | 212 | 202 | 190 | 177 | 162 | 145 |

| MODELO | Potencia | | Q (m ³ /h) | 16 | 20 | 24 | 28 | 32 | 36 | 40 |
|-------------|----------|-----|--------------------------|-----|-----|-----|-----|-----|-----|-----|
| | kW | CV | | | | | | | | |
| CDL32-10-1 | 1,5 | 2 | H mts | 14 | 13 | 12 | 11 | 9 | 7 | 4 |
| CDL32-10 | 2,2 | 3 | | 18 | 17 | 15 | 14 | 13 | 11 | 8 |
| CDL32-20-2 | 3,0 | 4 | | 29 | 28 | 26 | 23 | 20 | 16 | 11 |
| CDL32-20 | 4,0 | 5,5 | | 36 | 34 | 32 | 29 | 27 | 23 | 18 |
| CDL32-30-2 | 5,5 | 7,5 | | 47 | 44 | 41 | 38 | 33 | 28 | 21 |
| CDL32-30 | 5,5 | 7,5 | | 54 | 51 | 48 | 44 | 40 | 35 | 27 |
| CDL32-40-2 | 7,5 | 10 | | 65 | 62 | 58 | 53 | 46 | 40 | 30 |
| CDL32-40 | 7,5 | 10 | | 72 | 69 | 65 | 59 | 53 | 47 | 37 |
| CDL32-50-2 | 11 | 15 | | 83 | 79 | 74 | 68 | 60 | 52 | 41 |
| CDL32-50 | 11 | 15 | | 90 | 86 | 81 | 74 | 67 | 59 | 47 |
| CDL32-60-2 | 11 | 15 | | 101 | 97 | 90 | 83 | 74 | 65 | 51 |
| CDL32-60 | 11 | 15 | | 108 | 104 | 97 | 90 | 81 | 72 | 57 |
| CDL32-70-2 | 15 | 20 | | 119 | 114 | 107 | 98 | 88 | 78 | 60 |
| CDL32-70 | 15 | 20 | | 126 | 121 | 113 | 105 | 95 | 85 | 67 |
| CDL32-80-2 | 15 | 20 | | 136 | 131 | 123 | 114 | 102 | 90 | 71 |
| CDL32-80 | 15 | 20 | | 144 | 138 | 130 | 120 | 109 | 97 | 77 |
| CDL32-90-2 | 18,5 | 25 | | 154 | 148 | 140 | 129 | 117 | 102 | 82 |
| CDL32-90 | 18,5 | 25 | | 162 | 156 | 147 | 136 | 124 | 109 | 88 |
| CDL32-100-2 | 18,5 | 25 | | 175 | 166 | 157 | 146 | 131 | 115 | 91 |
| CDL32-100 | 18,5 | 25 | | 182 | 173 | 164 | 152 | 138 | 122 | 98 |
| CDL32-100-2 | 22 | 30 | | 193 | 184 | 173 | 164 | 146 | 128 | 102 |
| CDL32-110 | 22 | 30 | | 200 | 191 | 180 | 168 | 153 | 135 | 109 |
| CDL32-120-2 | 22 | 30 | | 211 | 201 | 189 | 178 | 160 | 140 | 113 |
| CDL32-120 | 22 | 30 | | 218 | 208 | 196 | 184 | 167 | 147 | 120 |
| CDL32-130-2 | 30 | 40 | | 230 | 218 | 206 | 193 | 174 | 153 | 124 |
| CDL32-130 | 30 | 40 | | 237 | 225 | 213 | 200 | 181 | 160 | 131 |
| CDL32-140-2 | 30 | 40 | | 247 | 235 | 222 | 210 | 189 | 165 | 135 |
| CDL32-140 | 30 | 40 | | 255 | 242 | 229 | 216 | 196 | 172 | 142 |
| CDL32-150-2 | 30 | 40 | | 266 | 253 | 239 | 224 | 203 | 178 | 145 |
| CDL32-150 | 30 | 40 | | 274 | 260 | 246 | 231 | 210 | 185 | 152 |
| CDL32-160-2 | 30 | 40 | | 284 | 270 | 255 | 240 | 218 | 190 | 156 |
| CDL32-160 | 30 | 40 | | 292 | 277 | 262 | 246 | 225 | 197 | 163 |

TABLAS DE PRESTACIONES

| MODELO | Potencia | | Q (m³/h) | 25 | 30 | 35 | 40 | 42 | 45 | 50 | 55 |
|-------------|----------|-----|-------------|-----|-----|-----|-----|-----|-----|-----|-----|
| | kW | CV | | | | | | | | | |
| CDL42-10-1 | 3,0 | 4 | H mts | 20 | 19 | 18 | 17 | 16 | 15 | 13 | 11 |
| CDL42-10 | 4,0 | 5,5 | | 24 | 23 | 22 | 21 | 20 | 19 | 18 | 16 |
| CDL42-20-2 | 5,5 | 7,5 | | 40 | 38 | 36 | 33 | 32 | 30 | 27 | 23 |
| CDL42-20 | 7,5 | 10 | | 48 | 46 | 44 | 42 | 41 | 39 | 35 | 31 |
| CDL42-30-2 | 11 | 15 | | 63 | 61 | 58 | 54 | 52 | 50 | 44 | 38 |
| CDL42-30 | 11 | 15 | | 71 | 69 | 66 | 63 | 61 | 58 | 53 | 47 |
| CDL42-40-2 | 15 | 20 | | 87 | 84 | 80 | 75 | 73 | 69 | 62 | 54 |
| CDL42-40 | 15 | 20 | | 95 | 92 | 88 | 84 | 81 | 78 | 71 | 62 |
| CDL42-50-2 | 18,5 | 25 | | 111 | 107 | 102 | 96 | 93 | 88 | 80 | 69 |
| CDL42-50 | 18,5 | 25 | | 119 | 115 | 110 | 105 | 101 | 97 | 88 | 78 |
| CDL42-60-2 | 22 | 30 | | 135 | 130 | 124 | 117 | 113 | 108 | 97 | 85 |
| CDL42-60 | 22 | 30 | | 143 | 138 | 132 | 125 | 122 | 116 | 106 | 93 |
| CDL42-70-2 | 30 | 40 | | 158 | 152 | 146 | 138 | 134 | 127 | 115 | 100 |
| CDL42-70 | 30 | 40 | | 166 | 161 | 154 | 146 | 142 | 135 | 124 | 109 |
| CDL42-80-2 | 30 | 40 | | 182 | 175 | 168 | 159 | 154 | 146 | 133 | 116 |
| CDL42-80 | 30 | 40 | | 190 | 184 | 176 | 167 | 162 | 154 | 141 | 124 |
| CDL42-90-2 | 30 | 40 | | 205 | 198 | 190 | 180 | 174 | 166 | 150 | 132 |
| CDL42-90 | 37 | 50 | | 214 | 207 | 198 | 188 | 183 | 174 | 159 | 140 |
| CDL42-100-2 | 37 | 50 | | 230 | 221 | 212 | 200 | 194 | 185 | 168 | 147 |
| CDL42-100 | 37 | 50 | | 238 | 230 | 220 | 209 | 203 | 193 | 177 | 155 |
| CDL42-100-2 | 45 | 60 | | 255 | 246 | 236 | 223 | 217 | 206 | 188 | 165 |
| CDL42-110 | 45 | 60 | | 263 | 255 | 244 | 232 | 225 | 214 | 196 | 173 |
| CDL42-120-2 | 45 | 60 | | 280 | 270 | 259 | 245 | 238 | 226 | 206 | 181 |
| CDL42-120 | 45 | 60 | | 289 | 280 | 268 | 255 | 247 | 236 | 216 | 190 |
| CDL42-130-2 | 45 | 60 | | 305 | 294 | 282 | 267 | 259 | 247 | 225 | 198 |

| MODELO | Potencia | | Q (m³/h) | 30 | 40 | 50 | 60 | 65 | 70 | 80 |
|------------|----------|-----|-------------|-----|-----|-----|-----|-----|-----|-----|
| | kW | CV | | | | | | | | |
| CDL65-10-1 | 4,0 | 5,5 | H mts | 19 | 18 | 16 | 14 | 13 | 11 | 8 |
| CDL65-10 | 5,5 | 7,5 | | 27 | 25 | 23 | 21 | 20 | 18 | 15 |
| CDL65-20-2 | 7,5 | 10 | | 39 | 36 | 33 | 29 | 26 | 23 | 17 |
| CDL65-20-1 | 11 | 15 | | 46 | 44 | 40 | 36 | 33 | 30 | 24 |
| CDL65-20 | 11 | 15 | | 53 | 51 | 47 | 43 | 40 | 37 | 30 |
| CDL65-30-2 | 15 | 20 | | 66 | 62 | 56 | 50 | 46 | 41 | 32 |
| CDL65-30-1 | 15 | 20 | | 73 | 69 | 63 | 57 | 53 | 48 | 39 |
| CDL65-30 | 18,5 | 25 | | 80 | 76 | 70 | 64 | 60 | 55 | 46 |
| CDL65-40-2 | 18,5 | 25 | | 92 | 87 | 80 | 71 | 66 | 60 | 47 |
| CDL65-40-1 | 22 | 30 | | 100 | 94 | 87 | 78 | 73 | 67 | 54 |
| CDL65-40 | 22 | 30 | | 107 | 101 | 94 | 85 | 80 | 74 | 61 |
| CDL65-50-2 | 30 | 40 | | 121 | 114 | 105 | 95 | 88 | 80 | 64 |
| CDL65-50-1 | 30 | 40 | | 128 | 121 | 112 | 102 | 95 | 87 | 71 |
| CDL65-50 | 30 | 40 | | 136 | 129 | 119 | 109 | 102 | 94 | 78 |
| CDL65-60-2 | 30 | 40 | | 150 | 142 | 131 | 118 | 110 | 101 | 81 |
| CDL65-60-1 | 37 | 50 | | 157 | 149 | 138 | 125 | 117 | 108 | 88 |
| CDL65-60 | 37 | 50 | | 164 | 156 | 145 | 132 | 124 | 115 | 95 |
| CDL65-70-2 | 37 | 50 | | 179 | 169 | 156 | 141 | 132 | 121 | 99 |
| CDL65-70-1 | 37 | 50 | | 186 | 176 | 163 | 148 | 139 | 128 | 106 |
| CDL65-70 | 45 | 60 | | 193 | 183 | 170 | 155 | 146 | 135 | 112 |
| CDL65-80-2 | 45 | 60 | | 207 | 196 | 182 | 164 | 154 | 142 | 116 |
| CDL65-80-1 | 45 | 60 | | 215 | 203 | 189 | 171 | 161 | 149 | 123 |

TABLAS DE PRESTACIONES

| MODELO | Potencia | | Q (m³/h) | 60 | 70 | 80 | 90 | 100 | 110 | 120 | 130 | 140 | 150 |
|-------------|----------|-----|-------------|-------|-------|-------|-------|-------|-------|-------|-------|-------|-------|
| | kW | CV | | | | | | | | | | | |
| CDL120-10 | 11 | 15 | H mts | 22 | 21,8 | 21,6 | 21 | 20,5 | 19,5 | 18,5 | 17 | 16 | 15 |
| CDL120-20-2 | 15 | 20 | | 34 | 33,6 | 33 | 31 | 30,2 | 30 | 28,5 | 27 | 25 | 24 |
| CDL120-20-1 | 18,5 | 25 | | 41 | 40 | 39,5 | 38,5 | 37 | 36,5 | 34,5 | 32,5 | 30 | 27,5 |
| CDL120-20 | 22 | 30 | | 46 | 45 | 44,5 | 43,5 | 42,4 | 41 | 40 | 38 | 36 | 33,5 |
| CDL120-30-2 | 30 | 40 | | 57 | 56 | 55 | 53,5 | 52 | 51 | 49 | 46,5 | 43,5 | 41 |
| CDL120-30-1 | 30 | 40 | | 64 | 63 | 62 | 60 | 58,5 | 57,5 | 55,5 | 52 | 49 | 46 |
| CDL120-30 | 30 | 40 | | 69,5 | 68,5 | 67,5 | 66 | 64,4 | 62,5 | 61 | 57,5 | 54,5 | 51 |
| CDL120-40-2 | 37 | 50 | | 80,5 | 79 | 78 | 76 | 73,5 | 72 | 69 | 66 | 61,5 | 58 |
| CDL120-40-1 | 37 | 50 | | 87 | 86 | 84,5 | 82 | 80 | 78 | 76 | 72 | 68 | 64,5 |
| CDL120-40 | 45 | 60 | | 92,5 | 91 | 90 | 88 | 85,5 | 83 | 81 | 77 | 73 | 68,5 |
| CDL120-50-2 | 45 | 60 | | 104,5 | 103 | 101 | 99 | 96 | 93 | 90 | 85,5 | 80,5 | 75,5 |
| CDL120-50-1 | 45 | 60 | | 110,5 | 109 | 107,5 | 105 | 102 | 100 | 97 | 92 | 86,5 | 83 |
| CDL120-50 | 55 | 75 | | 115,5 | 114 | 113 | 110 | 107,5 | 104,5 | 101,5 | 96 | 91 | 86 |
| CDL120-60-2 | 55 | 75 | | 128 | 125,5 | 123 | 121 | 117,3 | 113,5 | 110 | 104,5 | 98,5 | 92,5 |
| CDL120-60-1 | 55 | 75 | | 134 | 132 | 130,5 | 127 | 124 | 121 | 118 | 111 | 105 | 100 |
| CDL120-60 | 75 | 100 | | 139 | 137 | 135 | 132 | 128,8 | 126 | 123 | 116 | 110 | 104 |
| CDL120-70-2 | 75 | 100 | | 151 | 148 | 145,5 | 143 | 138,6 | 134 | 130 | 123,5 | 116,5 | 109 |
| CDL120-70-1 | 75 | 100 | | 156,5 | 154 | 152 | 148,5 | 144,5 | 141 | 137,5 | 130 | 123 | 116,5 |
| CDL120-70 | 75 | 100 | | 162,5 | 160,5 | 158,5 | 155 | 151 | 148 | 145 | 137 | 129 | 123 |

| MODELO | Potencia | | Q (m³/h) | 50 | 60 | 70 | 80 | 85 | 90 | 100 | 110 |
|------------|----------|-----|-------------|-----|-----|-----|-----|-----|-----|-----|-----|
| | kW | CV | | | | | | | | | |
| CDL85-10-1 | 5,5 | 7,5 | H mts | 22 | 19 | 17 | 16 | 14 | 13 | 10 | 6 |
| CDL85-10 | 7,5 | 10 | | 25 | 24 | 22 | 21 | 20 | 19 | 16 | 12 |
| CDL85-20-2 | 11 | 15 | | 41 | 39 | 36 | 32 | 30 | 28 | 22 | 15 |
| CDL85-20 | 15 | 20 | | 53 | 50 | 47 | 44 | 41 | 40 | 36 | 30 |
| CDL85-30-2 | 18,5 | 25 | | 68 | 65 | 60 | 55 | 52 | 49 | 41 | 32 |
| CDL85-30 | 22 | 30 | | 81 | 77 | 72 | 67 | 64 | 62 | 55 | 48 |
| CDL85-40-2 | 30 | 40 | | 98 | 93 | 87 | 80 | 75 | 72 | 62 | 50 |
| CDL85-40 | 30 | 40 | | 110 | 105 | 100 | 92 | 86 | 84 | 76 | 66 |
| CDL85-50-2 | 34 | 50 | | 126 | 120 | 113 | 104 | 98 | 93 | 81 | 68 |
| CDL85-50 | 37 | 50 | | 139 | 131 | 124 | 115 | 110 | 106 | 94 | 83 |
| CDL85-60-2 | 45 | 60 | | 155 | 148 | 139 | 129 | 122 | 117 | 102 | 86 |
| CDL85-60 | 45 | 60 | | 168 | 160 | 150 | 141 | 134 | 130 | 117 | 103 |

| MODELO | Potencia | | Q (m³/h) | 80 | 90 | 100 | 110 | 120 | 130 | 140 | 150 | 160 | 170 | 180 |
|-------------|----------|-----|-------------|-------|-------|-------|-------|-------|-------|-------|-------|-------|-------|------|
| | kW | CV | | | | | | | | | | | | |
| CDL150-10-1 | 11 | 15 | H mts | 18,3 | 17,8 | 17,3 | 17 | 16 | 15 | 14 | 12,5 | 11 | 10 | 8,5 |
| CDL150-10 | 15 | 20 | | 24 | 23 | 22,5 | 22 | 21,5 | 20,5 | 20 | 18,5 | 17 | 16 | 15 |
| CDL150-20-2 | 18,5 | 25 | | 37 | 35,5 | 34 | 33 | 32 | 31 | 29 | 27,5 | 26 | 23 | 21 |
| CDL150-20-1 | 22 | 30 | | 44,3 | 43 | 42 | 40 | 39 | 38,5 | 37,5 | 35 | 33 | 30 | 27 |
| CDL150-20 | 30 | 40 | | 50 | 49 | 48 | 47 | 45,5 | 44 | 42 | 40 | 37 | 34 | 32 |
| CDL150-30-2 | 30 | 40 | | 63,5 | 61 | 59 | 57,5 | 56 | 54,5 | 53 | 49 | 45,5 | 42 | 39 |
| CDL150-30-1 | 37 | 50 | | 70 | 68 | 67 | 65 | 63 | 62 | 60 | 56 | 53 | 49 | 45 |
| CDL150-30 | 37 | 50 | | 78 | 76,5 | 75 | 73 | 70,5 | 68 | 66 | 63 | 59 | 55 | 50,5 |
| CDL150-40-2 | 45 | 60 | | 89 | 87 | 84 | 81,5 | 79 | 77 | 74,5 | 70,5 | 65,5 | 60 | 56 |
| CDL150-40-1 | 45 | 60 | | 96,5 | 94 | 91,5 | 89 | 86,5 | 84 | 81,5 | 77 | 72,5 | 67 | 62 |
| CDL150-40 | 55 | 75 | | 104 | 102 | 100 | 97 | 95 | 91 | 88 | 84 | 79,5 | 74 | 68 |
| CDL150-50-2 | 55 | 75 | | 115,5 | 112 | 109 | 106 | 102,5 | 100 | 97 | 92 | 86 | 79 | 73,5 |
| CDL150-50-1 | 75 | 100 | | 122,5 | 119,5 | 117 | 113,5 | 111,5 | 107,5 | 104,5 | 99 | 93,5 | 87 | 80 |
| CDL150-50 | 75 | 100 | | 130 | 127,5 | 125 | 121 | 119 | 115 | 111,5 | 106,5 | 101 | 94,5 | 86,5 |
| CDL150-60-2 | 75 | 100 | | 140 | 137 | 133 | 130 | 126 | 121 | 118 | 112 | 106 | 98 | 91 |
| CDL150-60-1 | 75 | 100 | | 148,5 | 145 | 141,7 | 137,5 | 135 | 131 | 127 | 120,5 | 114,5 | 106,5 | 97,5 |
| CDL150-60 | 75 | 100 | | 157 | 153 | 149 | 145 | 142 | 139,5 | 137 | 130 | 123,5 | 116 | 109 |

TABLAS DE PRESTACIONES

| MODELO | Potencia | | Q (m ³ /h) | 100 | 120 | 140 | 160 | 180 | 200 | 220 | 240 |
|---------------|----------|-----|--------------------------|-------|-------|-------|-------|-------|-----|-------|--------|
| | kW | CV | | | | | | | | | |
| CDL200-10-B | 18,5 | 25 | H mts | 25,5 | 25 | 24 | 23 | 21,5 | 20 | 18 | 15,5 |
| CDL200-10-A | 22 | 30 | | 29 | 28,5 | 27,5 | 26,5 | 25,5 | 24 | 22 | 20 |
| CDL200-10 | 30 | 40 | | 38,5 | 38 | 37,5 | 36,5 | 35 | 34 | 32,5 | 30 |
| CDL200-20-2B | 37 | 50 | | 53 | 51 | 49 | 47 | 44 | 41 | 37 | 32 |
| CDL200-20-2A | 45 | 60 | | 59,5 | 58 | 56 | 54 | 52,5 | 49 | 44,5 | 40,5 |
| CDL200-20-A | 55 | 75 | | 69 | 68 | 66 | 64 | 62 | 59 | 55,5 | 51 |
| CDL200-20 | 55 | 75 | | 78,5 | 77,5 | 76 | 74 | 71,5 | 69 | 66 | 61,5 |
| CDL200-30-2B | 75 | 100 | | 91,5 | 89 | 86,5 | 83,5 | 79 | 75 | 70 | 63 |
| CDL200-30-A-B | 75 | 100 | | 95 | 93 | 90 | 87 | 83,5 | 79 | 73,5 | 67 |
| CDL200-30-2A | 75 | 100 | | 99,5 | 97,5 | 94,5 | 91,5 | 89 | 84 | 78,5 | 72 |
| CDL200-30-B | 75 | 100 | | 104,5 | 102,5 | 100 | 97 | 93 | 89 | 84,5 | 77,5 |
| CDL200-30-A | 75 | 100 | | 108 | 106 | 103,5 | 100,5 | 97,5 | 93 | 88 | 81,5 |
| CDL200-30 | 90 | 120 | | 117,5 | 116 | 113,5 | 110,5 | 107 | 103 | 99 | 92 |
| CDL200-40-2B | 90 | 120 | | 131,5 | 129 | 125,5 | 121 | 115,5 | 110 | 103,5 | 94 |
| CDL200-40-2A | 110 | 150 | | 138,5 | 136 | 135 | 128 | 124 | 118 | 111 | 102,05 |
| CDL200-40-A | 110 | 150 | | 148 | 145,5 | 142,5 | 138 | 134 | 128 | 122 | 113 |
| CDL200-40 | 110 | 150 | | 157,5 | 155,5 | 152,5 | 148 | 143,5 | 138 | 132,5 | 123,5 |

TABLA DE DIMENSIONES (mm) Y PESOS

| MODELO | Potencia | | | | | Peso kg |
|---------|----------|-----|-------|-----|-----|---------|
| | B1 | B2 | B1+B2 | D1 | D2 | |
| CDL1-2 | 258 | 225 | 483 | 148 | 117 | 20 |
| CDL1-3 | 276 | 225 | 501 | 148 | 117 | 20 |
| CDL1-4 | 294 | 225 | 519 | 148 | 117 | 21 |
| CDL1-5 | 312 | 225 | 537 | 148 | 117 | 21 |
| CDL1-6 | 330 | 225 | 555 | 148 | 117 | 22 |
| CDL1-7 | 348 | 225 | 573 | 148 | 117 | 23 |
| CDL1-8 | 366 | 225 | 591 | 148 | 117 | 24 |
| CDL1-9 | 384 | 225 | 609 | 148 | 117 | 25 |
| CDL1-10 | 402 | 225 | 627 | 148 | 117 | 26 |
| CDL1-11 | 420 | 225 | 645 | 148 | 117 | 26 |
| CDL1-12 | 448 | 245 | 693 | 170 | 142 | 29 |
| CDL1-13 | 466 | 245 | 711 | 170 | 142 | 30 |
| CDL1-15 | 502 | 245 | 747 | 170 | 142 | 31 |
| CDL1-17 | 537 | 245 | 783 | 170 | 142 | 33 |
| CDL1-19 | 574 | 245 | 819 | 170 | 142 | 34 |
| CDL1-21 | 610 | 245 | 855 | 170 | 142 | 35 |
| CDL1-23 | 646 | 245 | 891 | 170 | 142 | 36 |
| CDL1-25 | 692 | 290 | 982 | 190 | 155 | 42 |
| CDL1-27 | 728 | 290 | 1018 | 190 | 155 | 43 |
| CDL1-30 | 782 | 290 | 1072 | 190 | 155 | 45 |
| CDL1-33 | 836 | 290 | 1126 | 190 | 155 | 49 |
| CDL1-36 | 890 | 290 | 1180 | 190 | 155 | 51 |

| MODELO | Potencia | | | | | Peso kg |
|---------|----------|-----|-------|-----|-----|---------|
| | B1 | B2 | B1+B2 | D1 | D2 | |
| CDL2-2 | 258 | 225 | 483 | 148 | 117 | 20 |
| CDL2-3 | 276 | 225 | 501 | 148 | 117 | 20 |
| CDL2-4 | 294 | 225 | 519 | 148 | 117 | 22 |
| CDL2-5 | 312 | 225 | 537 | 148 | 117 | 23 |
| CDL2-6 | 340 | 245 | 585 | 170 | 142 | 26 |
| CDL2-7 | 358 | 245 | 603 | 170 | 142 | 26 |
| CDL2-9 | 394 | 245 | 639 | 170 | 142 | 28 |
| CDL2-11 | 430 | 245 | 675 | 170 | 142 | 29 |
| CDL2-13 | 476 | 290 | 766 | 190 | 155 | 35 |
| CDL2-15 | 512 | 290 | 802 | 190 | 155 | 36 |
| CDL2-18 | 566 | 290 | 856 | 190 | 155 | 41 |
| CDL2-22 | 638 | 290 | 928 | 190 | 155 | 42 |
| CDL2-26 | 720 | 345 | 1035 | 197 | 165 | 52 |

| MODELO | Potencia | | | | | Peso kg |
|---------|----------|-----|-------|-----|-----|---------|
| | B1 | B2 | B1+B2 | D1 | D2 | |
| CDL3-2 | 258 | 225 | 483 | 148 | 117 | 20 |
| CDL3-3 | 276 | 225 | 501 | 148 | 117 | 20 |
| CDL3-4 | 294 | 225 | 519 | 148 | 117 | 21 |
| CDL3-5 | 312 | 225 | 537 | 148 | 117 | 21 |
| CDL3-6 | 330 | 225 | 555 | 148 | 117 | 23 |
| CDL3-7 | 348 | 225 | 573 | 148 | 117 | 24 |
| CDL3-8 | 376 | 245 | 621 | 170 | 142 | 27 |
| CDL3-9 | 384 | 245 | 639 | 170 | 142 | 28 |
| CDL3-10 | 402 | 245 | 657 | 170 | 142 | 28 |
| CDL3-11 | 420 | 245 | 675 | 170 | 142 | 29 |
| CDL3-12 | 448 | 245 | 693 | 170 | 142 | 30 |
| CDL3-13 | 466 | 245 | 711 | 170 | 142 | 31 |
| CDL3-15 | 502 | 245 | 747 | 170 | 142 | 32 |
| CDL3-17 | 548 | 290 | 838 | 190 | 155 | 38 |
| CDL3-19 | 584 | 290 | 874 | 190 | 155 | 39 |
| CDL3-21 | 620 | 290 | 910 | 190 | 155 | 42 |
| CDL3-23 | 656 | 290 | 946 | 190 | 155 | 43 |
| CDL3-25 | 692 | 290 | 982 | 190 | 155 | 44 |
| CDL3-27 | 728 | 290 | 1018 | 190 | 155 | 45 |
| CDL3-29 | 764 | 290 | 1054 | 190 | 155 | 46 |
| CDL3-31 | 810 | 345 | 1155 | 197 | 165 | 54 |
| CDL3-33 | 846 | 345 | 1191 | 197 | 165 | 55 |
| CDL3-36 | 900 | 345 | 1245 | 197 | 165 | 57 |

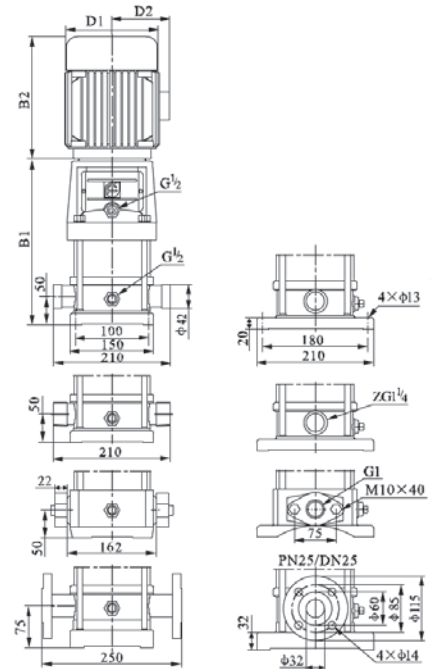
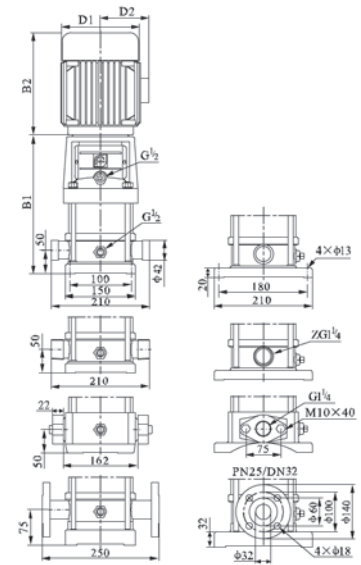
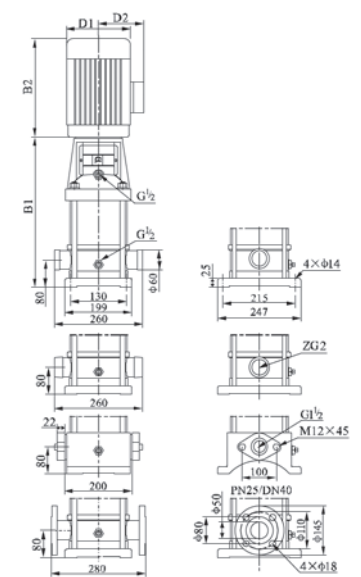


TABLA DE DIMENSIONES (mm) Y PESOS

| MODELO | Potencia | | | | | Peso kg |
|---------|----------|-----|-------|-----|-----|---------|
| | B1 | B2 | B1+B2 | D1 | D2 | |
| CDL4-2 | 276 | 225 | 501 | 148 | 117 | 21 |
| CDL4-3 | 303 | 225 | 528 | 148 | 117 | 22 |
| CDL4-4 | 340 | 245 | 585 | 170 | 142 | 25 |
| CDL4-5 | 367 | 245 | 612 | 170 | 142 | 27 |
| CDL4-6 | 394 | 245 | 639 | 170 | 142 | 27 |
| CDL4-7 | 431 | 290 | 721 | 190 | 155 | 33 |
| CDL4-8 | 458 | 290 | 748 | 190 | 155 | 33 |
| CDL4-10 | 512 | 290 | 802 | 190 | 155 | 37 |
| CDL4-12 | 566 | 290 | 856 | 190 | 155 | 38 |
| CDL4-14 | 630 | 345 | 975 | 197 | 165 | 46 |
| CDL4-16 | 684 | 345 | 1029 | 197 | 165 | 48 |
| CDL4-19 | 765 | 355 | 1120 | 230 | 188 | 57 |
| CDL4-22 | 846 | 355 | 1201 | 230 | 188 | 59 |



| MODELO | Potencia | | | | | Peso kg |
|----------|----------|-----|-------|-----|-----|---------|
| | B1 | B2 | B1+B2 | D1 | D2 | |
| CDL8-2/1 | 347 | 245 | 592 | 170 | 142 | 32 |
| CDL8-2 | 347 | 245 | 592 | 170 | 142 | 32 |
| CDL8-3 | 377 | 245 | 622 | 170 | 142 | 34 |
| CDL8-4 | 417 | 290 | 707 | 190 | 155 | 40 |
| CDL8-5 | 447 | 290 | 737 | 190 | 155 | 44 |
| CDL8-6 | 477 | 290 | 767 | 190 | 155 | 45 |
| CDL8-8 | 547 | 345 | 892 | 197 | 165 | 53 |
| CDL8-10 | 607 | 355 | 962 | 230 | 188 | 64 |
| CDL8-12 | 667 | 355 | 1022 | 230 | 188 | 66 |
| CDL8-14 | 747 | 390 | 1137 | 260 | 208 | 81 |
| CDL8-16 | 807 | 390 | 1197 | 260 | 208 | 84 |
| CDL8-18 | 867 | 390 | 1257 | 260 | 208 | 93 |
| CDL8-20 | 927 | 390 | 1317 | 260 | 208 | 94 |



| MODELO | Potencia | | | | | Peso kg |
|----------|----------|-----|-------|-----|-----|---------|
| | B1 | B2 | B1+B2 | D1 | D2 | |
| CDL12-2 | 367 | 290 | 657 | 190 | 155 | 39 |
| CDL12-3 | 397 | 290 | 687 | 190 | 155 | 43 |
| CDL12-4 | 437 | 345 | 782 | 197 | 165 | 51 |
| CDL12-5 | 467 | 345 | 812 | 197 | 165 | 53 |
| CDL12-6 | 497 | 355 | 852 | 230 | 188 | 61 |
| CDL12-7 | 547 | 390 | 937 | 260 | 208 | 73 |
| CDL12-8 | 577 | 390 | 967 | 260 | 208 | 74 |
| CDL12-9 | 607 | 390 | 997 | 260 | 208 | 76 |
| CDL12-10 | 637 | 390 | 1027 | 260 | 208 | 83 |
| CDL12-12 | 697 | 390 | 1087 | 260 | 208 | 87 |
| CDL12-14 | 845 | 500 | 1345 | 330 | 255 | 157 |
| CDL12-16 | 905 | 500 | 1405 | 330 | 255 | 161 |
| CDL12-18 | 965 | 500 | 1465 | 330 | 255 | 164 |

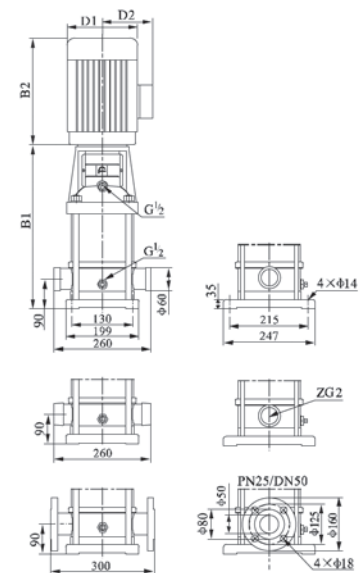
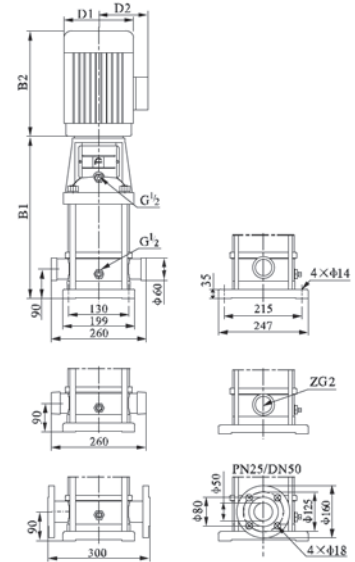
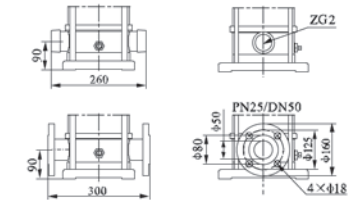


TABLA DE DIMENSIONES (mm) Y PESOS

| MODELO | Potencia | | | | | Peso kg |
|----------|----------|-----|-------|-----|-----|---------|
| | B1 | B2 | B1+B2 | D1 | D2 | |
| CDL16-2 | 397 | 290 | 687 | 190 | 155 | 42 |
| CDL16-3 | 452 | 345 | 797 | 197 | 165 | 50 |
| CDL16-4 | 497 | 355 | 852 | 230 | 188 | 59 |
| CDL16-5 | 562 | 390 | 952 | 260 | 208 | 76 |
| CDL16-6 | 607 | 390 | 997 | 260 | 208 | 77 |
| CDL16-7 | 652 | 390 | 1042 | 260 | 208 | 84 |
| CDL16-8 | 697 | 390 | 1087 | 260 | 208 | 86 |
| CDL16-10 | 875 | 500 | 1375 | 330 | 255 | 158 |
| CDL16-12 | 965 | 500 | 1465 | 330 | 255 | 161 |
| CDL16-14 | 1055 | 500 | 1555 | 330 | 255 | 174 |
| CDL16-16 | 1145 | 550 | 1645 | 330 | 255 | 178 |



| MODELO | Potencia | | | | | Peso kg |
|----------|----------|-----|-------|-----|-----|---------|
| | B1 | B2 | B1+B2 | D1 | D2 | |
| CDL20-1 | 387 | 245 | 632 | 170 | 142 | 33 |
| CDL20-2 | 397 | 290 | 687 | 190 | 155 | 42 |
| CDL20-3 | 452 | 355 | 807 | 230 | 188 | 58 |
| CDL20-4 | 517 | 390 | 907 | 260 | 208 | 74 |
| CDL20-5 | 562 | 390 | 952 | 260 | 208 | 76 |
| CDL20-6 | 607 | 390 | 997 | 260 | 208 | 82 |
| CDL20-7 | 652 | 390 | 1042 | 260 | 208 | 84 |
| CDL20-8 | 785 | 500 | 1285 | 330 | 255 | 153 |
| CDL20-10 | 875 | 500 | 1375 | 330 | 255 | 157 |
| CDL20-12 | 965 | 500 | 1465 | 330 | 255 | 170 |
| CDL20-14 | 1055 | 500 | 1555 | 330 | 255 | 172 |
| CDL20-17 | 1190 | 550 | 1740 | 330 | 255 | 195 |



| MODELO | Potencia | | | | | Peso kg |
|-------------|----------|-----|-------|-----|-----|---------|
| | B1 | B2 | B1+B2 | D1 | D2 | |
| CDL32-10-1 | 505 | 290 | 795 | 190 | 155 | 64 |
| CDL32-10 | 505 | 290 | 795 | 190 | 155 | 68 |
| CDL32-20-2 | 575 | 345 | 920 | 197 | 165 | 77 |
| CDL32-20 | 575 | 355 | 930 | 230 | 180 | 85 |
| CDL32-30-2 | 645 | 390 | 1035 | 260 | 208 | 100 |
| CDL32-30 | 645 | 390 | 1035 | 260 | 208 | 100 |
| CDL32-40-2 | 715 | 390 | 1105 | 260 | 208 | 109 |
| CDL32-40 | 715 | 390 | 1105 | 260 | 208 | 109 |
| CDL32-50-2 | 890 | 500 | 1390 | 330 | 255 | 181 |
| CDL32-50 | 890 | 500 | 1390 | 330 | 255 | 181 |
| CDL32-60-2 | 960 | 500 | 1460 | 330 | 255 | 185 |
| CDL32-60 | 960 | 500 | 1460 | 330 | 255 | 185 |
| CDL32-70-2 | 1030 | 500 | 1530 | 330 | 255 | 199 |
| CDL32-70 | 1030 | 500 | 1530 | 330 | 255 | 199 |
| CDL32-80-2 | 1100 | 500 | 1600 | 330 | 255 | 203 |
| CDL32-80 | 1100 | 500 | 1600 | 330 | 255 | 203 |
| CDL32-90-2 | 1170 | 550 | 1720 | 330 | 255 | 222 |
| CDL32-90 | 1170 | 550 | 1720 | 330 | 255 | 222 |
| CDL32-100-2 | 1240 | 550 | 1790 | 330 | 255 | 227 |
| CDL32-100 | 1240 | 550 | 1790 | 330 | 255 | 227 |
| CDL32-110-2 | 1310 | 575 | 1885 | 360 | 285 | 272 |
| CDL32-110 | 1310 | 575 | 1885 | 360 | 285 | 272 |
| CDL32-120-2 | 1380 | 575 | 1955 | 360 | 285 | 276 |
| CDL32-120 | 1380 | 575 | 1955 | 360 | 285 | 276 |
| CDL32-130-2 | 1450 | 650 | 2100 | 400 | 310 | 337 |
| CDL32-130 | 1450 | 650 | 2100 | 400 | 310 | 337 |
| CDL32-140-2 | 1520 | 650 | 2170 | 400 | 310 | 341 |
| CDL32-140 | 1520 | 650 | 2170 | 400 | 310 | 341 |
| CDL32-150-2 | 1590 | 650 | 2240 | 400 | 310 | 345 |
| CDL32-150 | 1590 | 650 | 2240 | 400 | 310 | 345 |
| CDL32-160-2 | 1660 | 650 | 2310 | 400 | 310 | 350 |
| CDL32-160 | 1660 | 650 | 2310 | 400 | 310 | 350 |

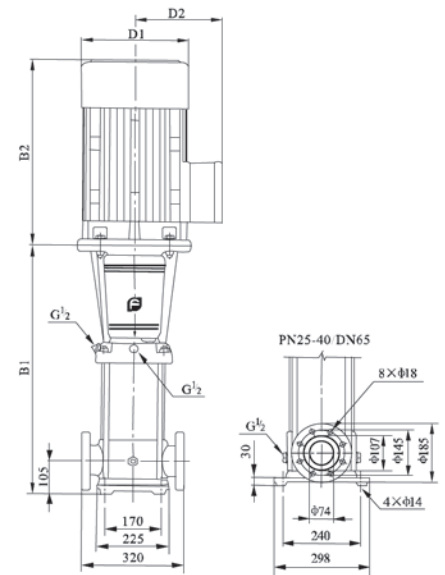
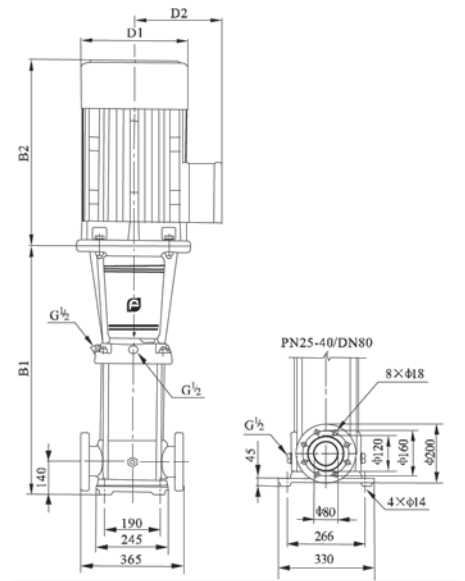


TABLA DE DIMENSIONES (mm) Y PESOS

| MODELO | Potencia | | | | | Peso kg |
|-------------|----------|-----|-------|-----|-----|---------|
| | B1 | B2 | B1+B2 | D1 | D2 | |
| CDL42-10-1 | 561 | 345 | 906 | 197 | 165 | 83 |
| CDL42-10 | 561 | 355 | 916 | 230 | 188 | 90 |
| CDL42-20-2 | 641 | 390 | 1031 | 260 | 208 | 105 |
| CDL42-20 | 641 | 390 | 1031 | 260 | 208 | 110 |
| CDL42-30-2 | 826 | 500 | 1326 | 330 | 255 | 183 |
| CDL42-30 | 826 | 500 | 1326 | 330 | 255 | 183 |
| CDL42-40-2 | 906 | 500 | 1406 | 330 | 255 | 197 |
| CDL42-40 | 906 | 500 | 1406 | 330 | 255 | 197 |
| CDL42-50-2 | 986 | 550 | 1536 | 330 | 255 | 221 |
| CDL42-50 | 986 | 550 | 1536 | 330 | 255 | 221 |
| CDL42-60-2 | 1066 | 575 | 1641 | 360 | 285 | 261 |
| CDL42-60 | 1066 | 575 | 1641 | 360 | 285 | 261 |
| CDL42-70-2 | 1146 | 650 | 1796 | 400 | 310 | 320 |
| CDL42-70 | 1146 | 650 | 1796 | 400 | 310 | 320 |
| CDL42-80-2 | 1226 | 650 | 1876 | 400 | 310 | 324 |
| CDL42-80 | 1226 | 650 | 1876 | 400 | 310 | 324 |
| CDL42-90-2 | 1306 | 650 | 1956 | 400 | 310 | 328 |
| CDL42-90 | 1306 | 650 | 1956 | 400 | 310 | 352 |
| CDL42-100-2 | 1386 | 650 | 2036 | 400 | 310 | 355 |
| CDL42-100 | 1386 | 650 | 2036 | 400 | 310 | 355 |
| CDL42-110-2 | 1466 | 685 | 2151 | 450 | 345 | 426 |
| CDL42-110 | 1466 | 685 | 2151 | 450 | 345 | 426 |
| CDL42-120-2 | 1546 | 685 | 2231 | 450 | 345 | 432 |
| CDL42-120 | 1546 | 685 | 2231 | 450 | 345 | 432 |
| CDL42-130-2 | 1626 | 685 | 2311 | 450 | 345 | 438 |



| MODELO | Potencia | | | | | Peso kg |
|------------|----------|-----|-------|-----|-----|---------|
| | B1 | B2 | B1+B2 | D1 | D2 | |
| CDL65-10-1 | 561 | 335 | 916 | 230 | 188 | 93 |
| CDL65-10 | 561 | 390 | 951 | 260 | 208 | 105 |
| CDL65-20-2 | 644 | 390 | 1064 | 260 | 208 | 110 |
| CDL65-20-1 | 754 | 500 | 1254 | 330 | 255 | 182 |
| CDL65-20 | 754 | 500 | 1254 | 330 | 255 | 182 |
| CDL65-30-2 | 836 | 500 | 1336 | 330 | 255 | 196 |
| CDL65-30-1 | 836 | 500 | 1336 | 330 | 255 | 197 |
| CDL65-30 | 836 | 550 | 1386 | 330 | 255 | 221 |
| CDL65-40-2 | 919 | 550 | 1469 | 330 | 255 | 225 |
| CDL65-40-1 | 919 | 575 | 1494 | 360 | 285 | 258 |
| CDL65-40 | 919 | 575 | 1494 | 360 | 285 | 258 |
| CDL65-50-2 | 1001 | 650 | 1651 | 400 | 310 | 319 |
| CDL65-50-1 | 1001 | 650 | 1651 | 400 | 310 | 319 |
| CDL65-50 | 1001 | 650 | 1651 | 400 | 310 | 320 |
| CDL65-60-2 | 1084 | 650 | 1734 | 400 | 310 | 325 |
| CDL65-60-1 | 1084 | 650 | 1734 | 400 | 310 | 349 |
| CDL65-60 | 1084 | 650 | 1734 | 400 | 310 | 349 |
| CDL65-70-2 | 1166 | 650 | 1816 | 400 | 310 | 353 |
| CDL65-70-1 | 1166 | 650 | 1816 | 400 | 310 | 353 |
| CDL65-70 | 1166 | 685 | 1851 | 460 | 340 | 420 |
| CDL65-80-2 | 1248 | 685 | 1933 | 460 | 340 | 424 |
| CDL65-80-1 | 1248 | 685 | 1933 | 460 | 340 | 424 |

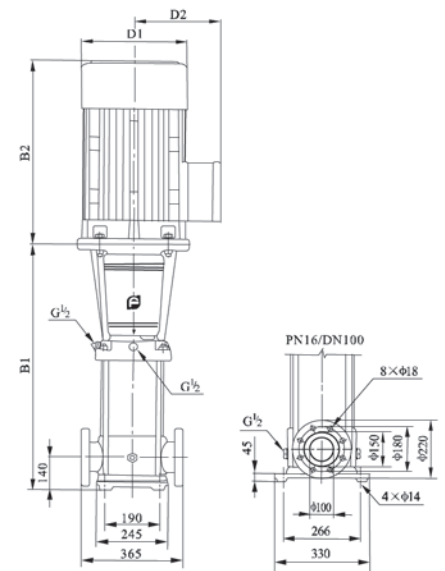
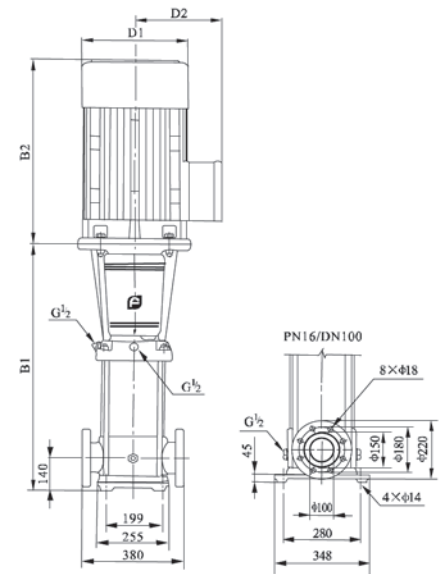
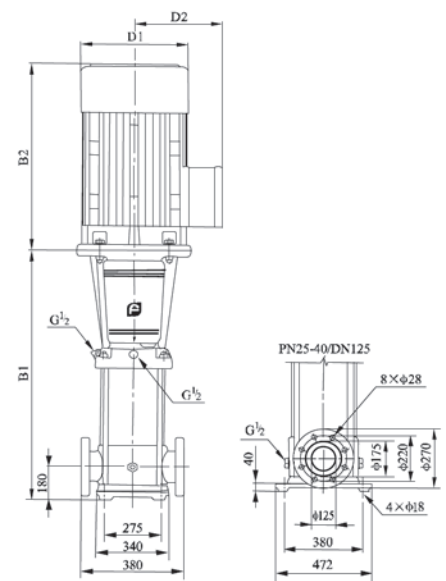


TABLA DE DIMENSIONES (mm) Y PESOS

| MODELO | Potencia | | | | | Peso kg |
|------------|----------|-----|-------|-----|-----|---------|
| | B1 | B2 | B1+B2 | D1 | D2 | |
| CDL85-10-1 | 571 | 390 | 961 | 260 | 208 | 105 |
| CDL85-10 | 571 | 390 | 961 | 260 | 208 | 110 |
| CDL85-20-2 | 773 | 500 | 1273 | 330 | 255 | 181 |
| CDL85-20 | 773 | 500 | 1273 | 330 | 255 | 192 |
| CDL85-30-2 | 865 | 550 | 1415 | 330 | 255 | 215 |
| CDL85-30 | 865 | 575 | 1440 | 360 | 285 | 252 |
| CDL85-40-2 | 957 | 650 | 1607 | 400 | 310 | 312 |
| CDL85-40 | 957 | 650 | 1607 | 400 | 310 | 312 |
| CDL85-50-2 | 1049 | 650 | 1699 | 400 | 310 | 336 |
| CDL85-50 | 1049 | 650 | 1699 | 400 | 310 | 336 |
| CDL85-60-2 | 1141 | 685 | 1826 | 460 | 340 | 407 |
| CDL85-60 | 1141 | 685 | 1826 | 460 | 340 | 407 |



| MODELO | Potencia | | | | | Peso kg |
|-------------|----------|-----|-------|-----|-----|---------|
| | B1 | B2 | B1+B2 | D1 | D2 | |
| CDL120-10 | 840 | 500 | 1340 | 330 | 255 | 230 |
| CDL120-20-2 | 1000 | 500 | 1500 | 330 | 255 | 245 |
| CDL120-20-1 | 1000 | 550 | 1550 | 330 | 255 | 250 |
| CDL120-20 | 1000 | 575 | 1575 | 360 | 285 | 285 |
| CDL120-30-2 | 1160 | 650 | 1810 | 400 | 310 | 360 |
| CDL120-30-1 | 1160 | 650 | 1810 | 400 | 310 | 360 |
| CDL120-30 | 1160 | 650 | 1810 | 400 | 310 | 360 |
| CDL120-40-2 | 1320 | 650 | 1970 | 400 | 310 | 400 |
| CDL120-40-1 | 1320 | 650 | 1970 | 400 | 310 | 400 |
| CDL120-40 | 1320 | 685 | 2005 | 460 | 340 | 460 |
| CDL120-50-2 | 1480 | 685 | 2165 | 460 | 340 | 470 |
| CDL120-50-1 | 1480 | 685 | 2165 | 460 | 340 | 470 |
| CDL120-50 | 1510 | 760 | 2270 | 540 | 370 | 575 |
| CDL120-60-2 | 1670 | 760 | 2430 | 540 | 370 | 585 |
| CDL120-60-1 | 1670 | 760 | 2430 | 540 | 370 | 585 |
| CDL120-60 | 1670 | 845 | 2515 | 580 | 410 | 705 |
| CDL120-70-2 | 1830 | 845 | 2675 | 580 | 410 | 715 |
| CDL120-70-1 | 1830 | 845 | 2675 | 580 | 410 | 715 |
| CDL120-70 | 1830 | 845 | 2675 | 580 | 410 | 715 |



| MODELO | Potencia | | | | | Peso kg |
|-------------|----------|-----|-------|-----|-----|---------|
| | B1 | B2 | B1+B2 | D1 | D2 | |
| CDL150-10-1 | 840 | 500 | 1340 | 330 | 255 | 230 |
| CDL150-10 | 840 | 500 | 1340 | 330 | 255 | 235 |
| CDL150-20-2 | 1000 | 550 | 1550 | 330 | 255 | 250 |
| CDL150-20-1 | 1000 | 575 | 1575 | 360 | 285 | 295 |
| CDL150-20 | 1000 | 650 | 1650 | 400 | 310 | 350 |
| CDL150-30-2 | 1160 | 650 | 1810 | 400 | 310 | 360 |
| CDL150-30-1 | 1160 | 650 | 1810 | 400 | 310 | 360 |
| CDL150-30 | 1160 | 650 | 1810 | 400 | 310 | 385 |
| CDL150-40-2 | 1320 | 685 | 2005 | 460 | 340 | 460 |
| CDL150-40-1 | 1320 | 685 | 2005 | 460 | 340 | 460 |
| CDL150-40 | 1350 | 760 | 2110 | 540 | 370 | 560 |
| CDL150-50-2 | 1510 | 760 | 2270 | 540 | 370 | 570 |
| CDL150-50-1 | 1510 | 845 | 2355 | 580 | 410 | 690 |
| CDL150-50 | 1510 | 845 | 2355 | 580 | 410 | 690 |
| CDL150-60-2 | 1670 | 845 | 2515 | 580 | 410 | 700 |
| CDL150-60-1 | 1670 | 845 | 2515 | 580 | 410 | 700 |
| CDL150-60 | 1670 | 845 | 2515 | 580 | 410 | 700 |

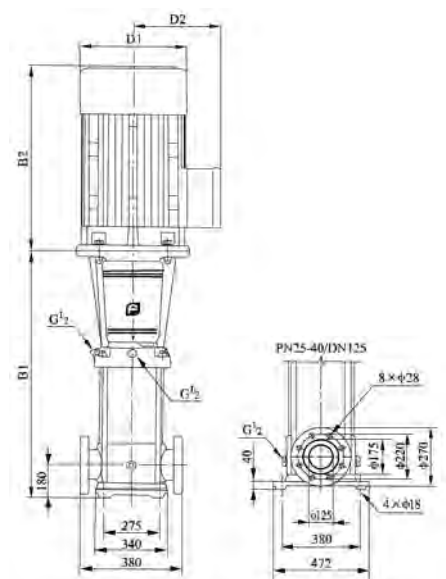


TABLA DE DIMENSIONES (mm) Y PESOS

| MODELO | Potencia | | | | | Peso kg |
|---------------|----------|------|-------|-----|-----|------------|
| | B1 | B2 | B1+B2 | D1 | D2 | |
| CDL200-10-B | 907 | 550 | 1457 | 330 | 255 | 311 |
| CDL200-10-A | 907 | 575 | 1482 | 360 | 285 | 347 |
| CDL200-10 | 907 | 650 | 1557 | 400 | 310 | 403 |
| CDL200-20-2B | 1101 | 650 | 1751 | 400 | 310 | 447 |
| CDL200-20-2A | 1101 | 685 | 1786 | 460 | 340 | 504 |
| CDL200-20-A | 1131 | 760 | 1891 | 540 | 370 | 595 |
| CDL200-20 | 1131 | 760 | 1891 | 540 | 370 | 595 |
| CDL200-30-2B | 1325 | 845 | 2170 | 580 | 410 | 748 |
| CDL200-30-A-B | 1325 | 845 | 2170 | 580 | 410 | 748 |
| CDL200-30-2A | 1325 | 845 | 2170 | 580 | 410 | 748 |
| CDL200-30-B | 1325 | 845 | 2170 | 580 | 410 | 748 |
| CDL200-30-A | 1325 | 845 | 2170 | 580 | 410 | 748 |
| CDL200-30 | 1325 | 895 | 2220 | 580 | 410 | 817 |
| CDL200-40-2B | 1519 | 895 | 2414 | 580 | 410 | 830 |
| CDL200-40-2A | 1519 | 1140 | 2659 | 645 | 550 | 1180 |
| CDL200-40-A | 1519 | 1140 | 2659 | 645 | 550 | 1180 |
| CDL200-40 | 1519 | 1140 | 2659 | 645 | 550 | 1180 |

